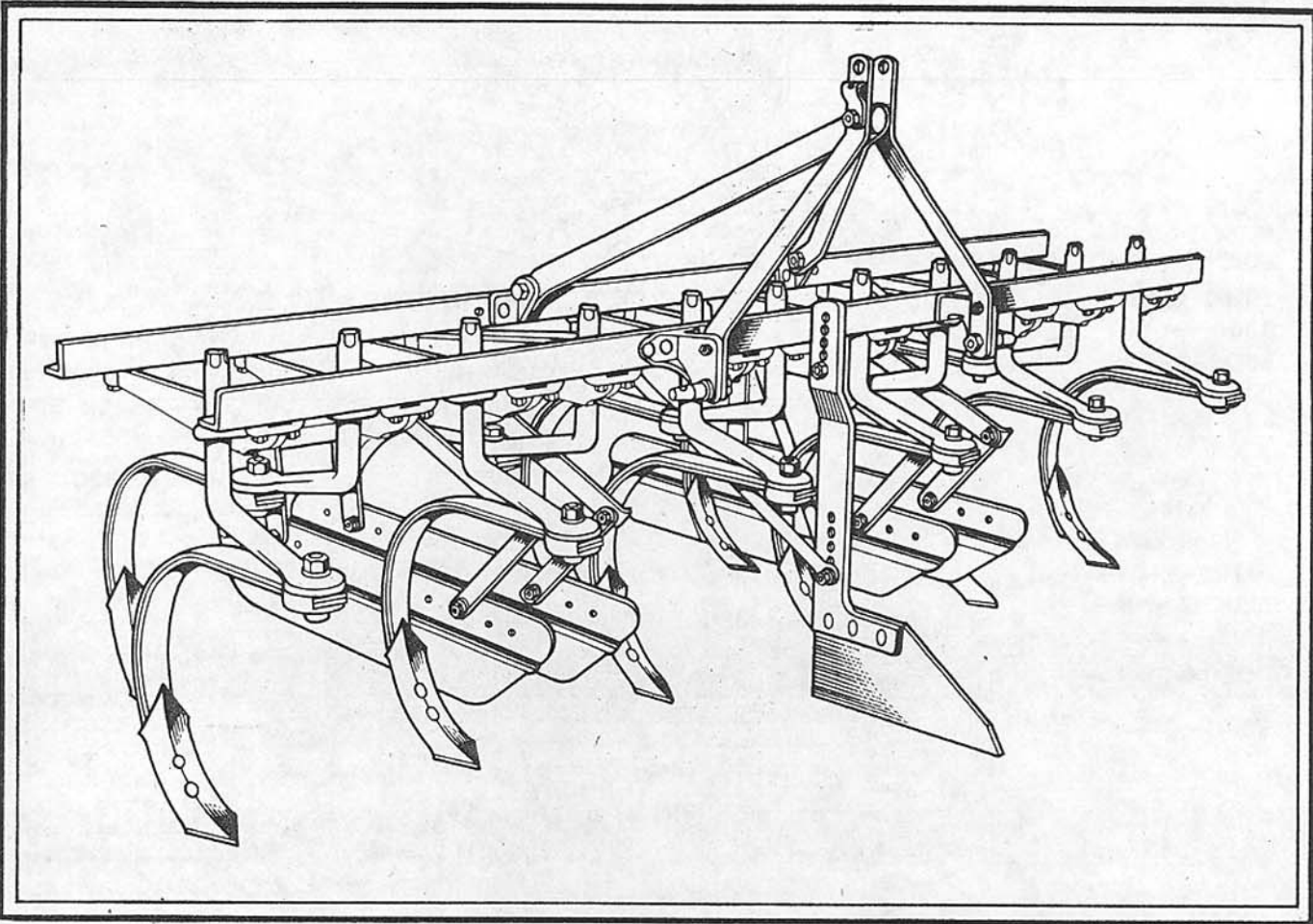


# SPRING TINE CULTIVATOR

## PARTS PRICE LIST

### SKO-20



JANUARY 2, 1942

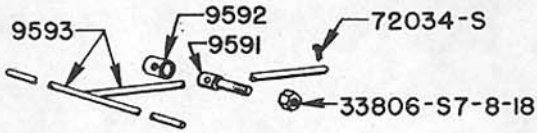
*Ferguson-Sherman*

MANUFACTURING CORPORATION

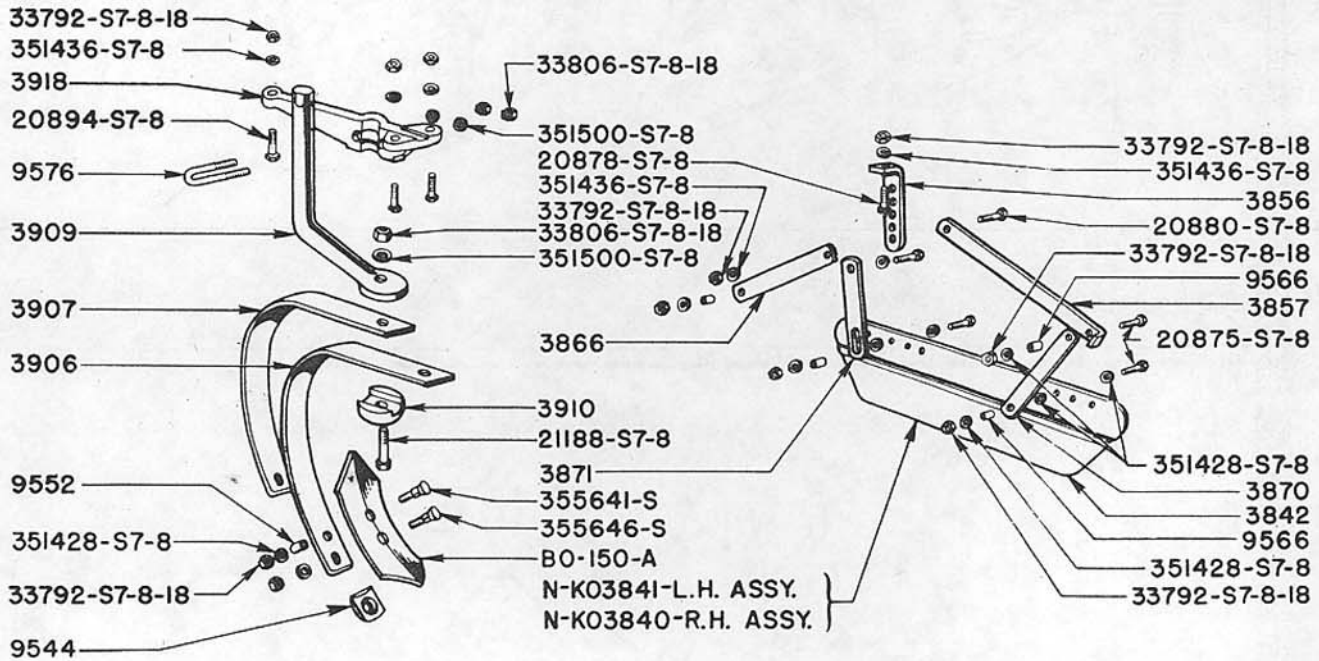
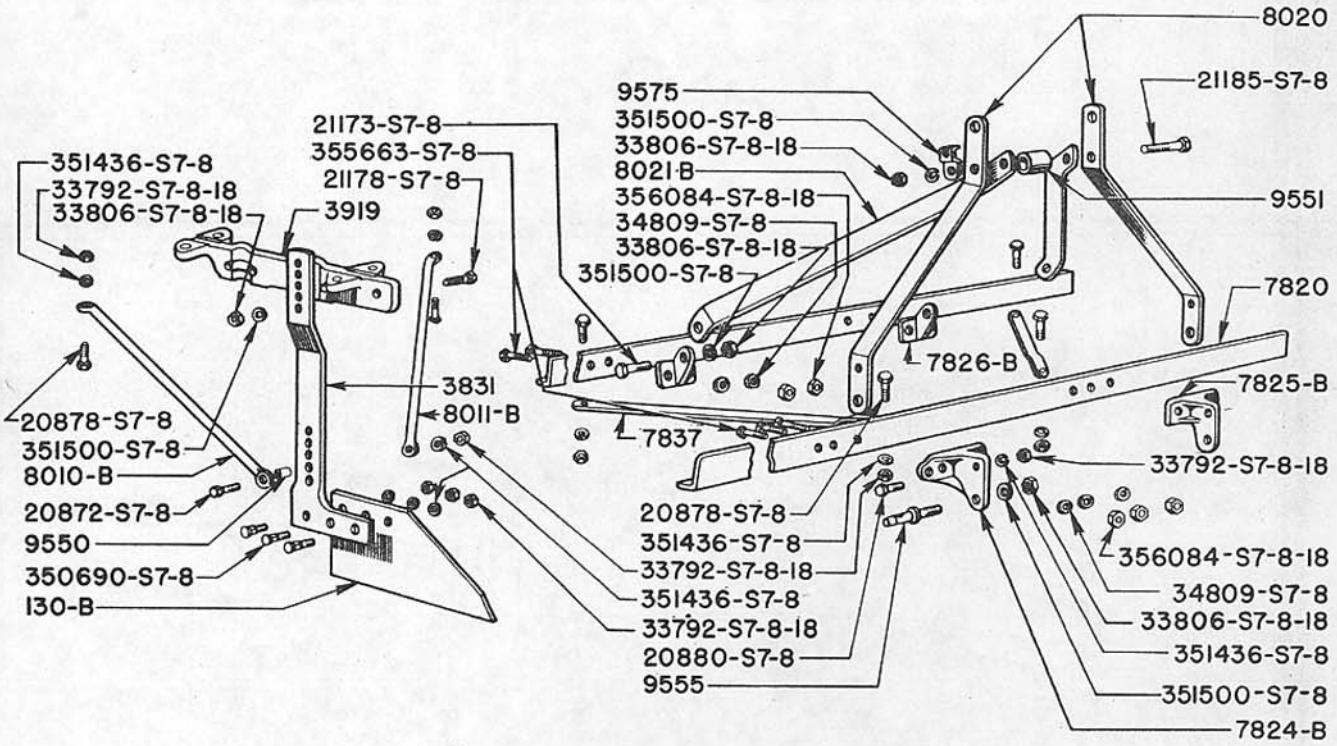
DEARBORN, MICHIGAN

(PRICES SUBJECT TO CHANGE WITHOUT NOTICE)

# IMPLEMENT PARTS PRICE LIST



**K09590 ASSY.**



**SPRING TINE CULTIVATOR**

# IMPLEMENT PARTS PRICE LIST

Part No.	Price	Part Name	Unit
<b>SPRING TINE CULTIVATOR (Continued)</b>			
NKO 128	15.25	Fin Assembly - Steering .....	1
KO 130-B	X 3.75	Fin - Steering .....	1
350690-S7-8		Bolt (Square Neck) - Fin to Fin Stem .....	3
33792-S7-8-18		Nut (Hex) - Fin to Fin Stem .....	3
BO 150-A	X .50	Shovel 2-1/2" Rev. Point .....	11
SKO 9552	.05	Spacer .....	11
355641-S		Bolt (Square Neck) - Shovel to Inner Spring Tine .....	11
355646-S		Bolt (Square Neck) - Shovel to Inner & Helper Spring Tine ..	11
33792-S7-8-18		Nut (Hex) - Shovel to Inner & Helper Spring Tine .....	11
		Shovel to Inner Spring Tine .....	11
SKO 150-DB	X .95	Shovel - Spear Point - Crucible - with Bolts .....	11
SKO 150-DD	X 1.25	Shovel - Spear Point - Soft Center - with Bolts .....	11
6KO 150-A	X .60	Shovel - Cultivator - 6" less bolts	4
8KO 150-A	X .65	Shovel - Cultivator - 8" less bolts Use with Sweep	4
10KO 150-A	X .70	Shovel - Cultivator - 10" less bolts Adaptor SKO 9544	3
351428-S7-8		Washer (Flat) - Shovel to Inner & Helper Spring Tine .....	11
		Shovel to Inner Spring Tine .....	11
KO 3831	8.25	Stem - Fin .....	1
21178-S7-8		Bolt (Hex Head) - Fin Stem to Center Tine .....	1
33806-S7-8-18		Nut (Hex) - Fin Stem to Center Tine .....	1
351500-S7-8		Washer (Special Lock) - Fin Stem to Center Tine .....	1
NKO 3840	2.50	Fender Assembly R.H. ....	2
NKO 3841	2.50	Fender Assembly L.H. ....	2
20878-S7-8		Bolt (Hex Head) - Fender Assembly to Angle Bar .....	4
33792-S7-8-18		Nut (Hex) - Fender Assembly to Angle Bar .....	4
351436-S7-8		Washer (Special Lock) - Fender Assembly to Angle Bar .....	4
NKO 3842	.70	Fender .....	4
20875-S7-8		Bolt (Hex Head) - Fender to Toggle Plate .....	8
33792-S7-8-18		Nut (Hex) - Fender to Toggle Plate .....	8
351428-S7-8		Washer (Special Plain) - Fender to Toggle Plate .....	24
NKO 3856	.25	Arm - Fender Support .....	4
20878-S7-8		Bolt (Hex Head) - Fender Support Arm to Angle Bar .....	4
33792-S7-8-18		Nut (Hex) - Fender Support Arm to Angle Bar .....	4
351436-S7-8		Washer (Special Lock) - Fender Support Arm to Angle Bar ...	4
NKO 3857	.20	Arm - Fender .....	4
NKO 3866	.25	Arm - Rear Fender .....	4
20880-S7-8		Bolt (Hex Head) - Arm & Rear Arm to Support .....	4
33792-S7-8-18		Nut (Hex) - Arm & Rear Arm to Support .....	4
351436-S7-8		Washer (Special Lock) - Arm & Rear Arm to Support .....	4
NKO 3870	.20	Plate - Fender Toggle (Front) .....	4
NKO 3871	.20	Plate - Fender Toggle (Rear) .....	4
20875-S7-8		Bolt (Hex Head) - Arms to Toggle Plate .....	8
33792-S7-8-18		Nut (Hex) - Arms to Toggle Plate .....	8
351428-S7-8		Washer (Special Plain) - Arms to Toggle Plate .....	8
SKO 3906	.80	Spring - Inner .....	11
SKO 3907	.95	Spring - Helper .....	11
21188-S7-8		Bolt (Hex Head) - Inner & Helper Spring to Spring Tine Stem.	11
33806-S7-8-18		Nut (Hex) - Inner & Helper Spring to Spring Tine Stem .....	11
351500-S7-8		Washer (Special Lock) - Inner & Helper Spring to Spring Tine Stem .....	11
SKO 3909	2.35	Stem - Spring Tine .....	11
SKO 3910	.40	Clamp - Spring Tine .....	11
21188-S7-8		Bolt (Hex Head) - Spring Tine Clamp to Spring Tine Stem ...	11
33806-S7-8-18		Nut (Hex) - Spring Tine Clamp to Spring Tine Stem .....	11
351500-S7-8		Washer (Special Lock) - Spring Tine Clamp to Spring Tine Stem .....	11
SKO 3918	3.30	Seat - Stem .....	10
SKO 3919	5.10	Seat - Center Stem .....	1
20894-S7-8		Bolt (Hex Head) - Stem Seat to Angle Bar .....	30
		Center Stem Seat to Angle Bar .....	4
33792-S7-8-18		Nut (Hex) - Stem Seat to Angle Bar .....	30
		Center Stem Seat to Angle Bar .....	4

X Special Discount



# IMPLEMENT PARTS PRICE LIST

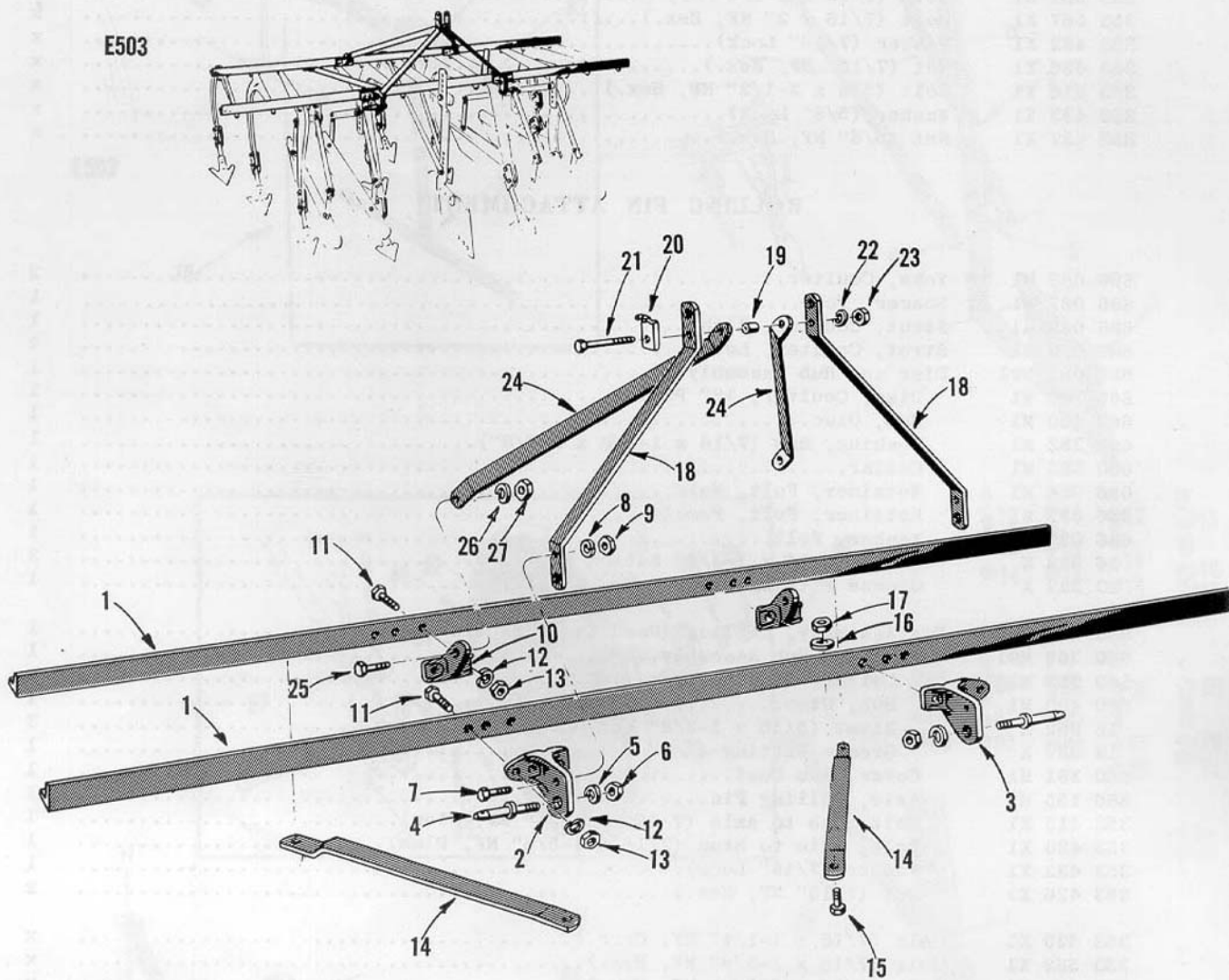
Part No.	Price	Part Name	Unit
<b>SPRING TINE CULTIVATOR</b>			
351436-S7-8		Washer (Special Lock) - Stem Seat to Angle Bar .....	30
		Center Stem Seat to Angle Bar .....	4
KO 7820	\$ 9.75	Bar - Cutliviator Angle .....	2
KO 7824-B	1.65	Bracket - Cultivator Angle Front R.H. ....	1
KO 7825-B	1.65	Bracket - Cultivator Angle Front L.H. ....	1
KO 7826-B	1.00	Bracket - Cutliviator Angle Rear .....	2
355663-S7-8		Bolt (Hex Head) - Front & Rear Bracket to Angle Bar .....	10
356084-S7-8-18		Nut (Hex) - Front & Rear Bracket to Angle Bar .....	10
34809-S7-8		Washer (Lock) - Front & Rear Bracket to Angle Bar .....	10
KO 7837	.30	Brace - Angle Bar .....	2
20878-S7-8		Bolt (Hex Head) - Angle Bar Brace to Angle Bar .....	4
33792-S7-8-18		Nut (Hex) - Angle Bar Brace to Angle Bar .....	4
351436-S7-8		Washer (Special Lock) - Angle Bar Brace to Angle Bar .....	4
KO 8010-B	1.35	Stay - Fin Stem R.H. ....	1
KO 8011-B	1.35	Stay - Fin Stem L.H. ....	1
20872-S7-8		Bolt (Hex Head) - Fin Stem Stays to Fin Stem .....	1
20878-S7-8		Bolt (Hex Head) - Fin Stem Stay to Angle Bar .....	2
33792-S7-8-18		Nut (Hex) - Fin Stem Stay to Fin Stem .....	1
		Fin Stem Stay to Angle Bar .....	2
351436-S7-8		Washer (Special Lock) - Fin Stem Stays to Fin Stem .....	1
		Fin Stem Stay to Angle Bar .....	2
KO 8019		Strut - Front R.H. (Service KO 8020) .....	1
KO 8020	1.45	Strut - Front L.H. ....	1
20880-S7-8		Bolt (Hex Head) - Front Strut to Front Angle Bracket .....	2
33792-S7-8-18		Nut (Hex) - Front Strut to Front Angle Bracket .....	2
351436-S7-8		Washer (Special Lock) - Front Strut to Front Angle Bracket.	2
KO 8021-B	1.45	Strut - Rear .....	2
21173-S7-8		Bolt (Hex Head) - Rear Struts to Rear Angle Brackets .....	2
33806-S7-8-18		Nut (Hex) - Rear Struts to Rear Angle Brackets .....	2
351500-S7-8		Washer (Special Lock) - Rear Struts to Rear Angle Brackets.	2
SKO 9544	.08	Sweep adaptor .....	11
KO 9550	.10	Spacer - Stay .....	1
KO 9551	.15	Spacer - Strut .....	1
21185-S7-8		Bolt (Hex Head) - Front Struts to Spacer to Rear Struts ...	1
33806-S7-8-18		Nut (Hex) - Front Struts to Spacer to Rear Struts .....	1
351500-S7-8		Washer (Special Lock) - Front Struts to Spacer to Rear Struts	1
SKO 9552	.05	Spacer - Shovel .....	11
KO 9555	.75	Pin - Link .....	2
33806-S7-8-18		Nut (Hex) - Link Pin to Front Struts & Brackets .....	2
351500-S7-8		Washer (Special Lock) - Link Pin to Front Struts & Brackets.	2
NKO 9566	.05	Spacer - Toggle Fender .....	16
KO 9575	.03	Stopper - Pin .....	1
SKO 9576	.30	U-Bolt - Stem .....	11
33806-S7-8-18		Nut (Hex) - U-Bolt to Spring Tine Stem .....	22
351500-S7-8		Washer (Special Lock) - U-Bolt to Spring Tine Stem .....	22
KO 9590	1.00	Steering Pointer Assembly .....	1
KO 9591	.25	Bolt - Steering Pointer .....	1
33806-S7-8-18		Nut (Hex) - Steering Pointer Assembly .....	1
KO 9592	.05	Sleeve - Steering Pointer .....	1
KO 9593	.70	Arm - Steering Pointer .....	1
72034-S		Pin (Cotter) - Steering Pointer Assembly .....	1

Note: For prices of bolts, nuts etc.,  
see Standard Parts section.

## S-KO CULTIVATOR

## FRAME ASSEMBLY

E503



## S-KO CULTIVATOR

19

## FRAME ASSEMBLY

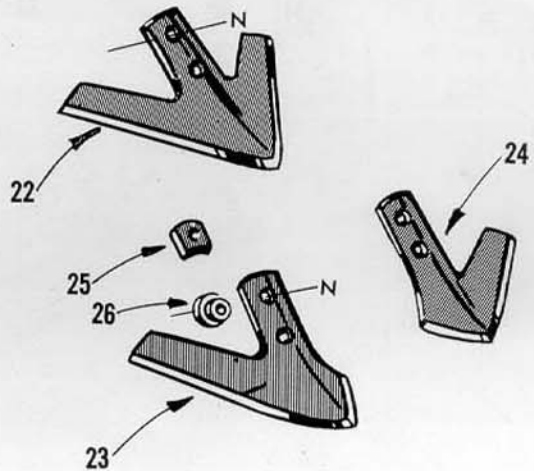
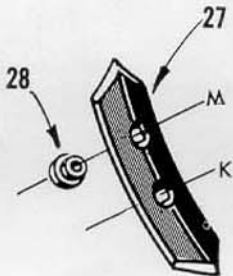
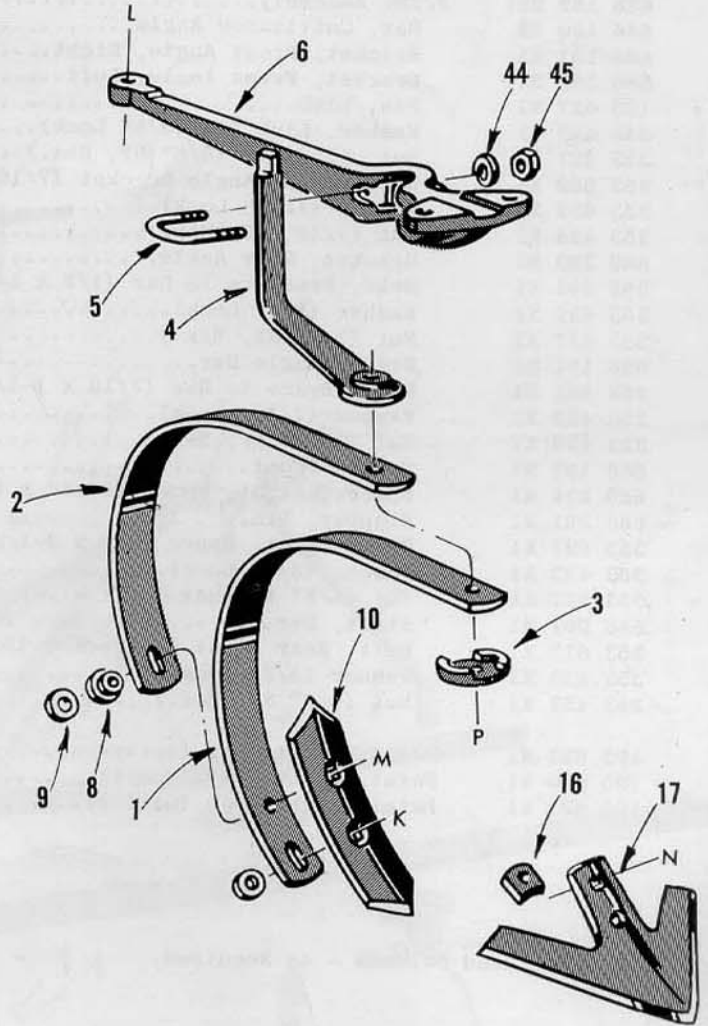
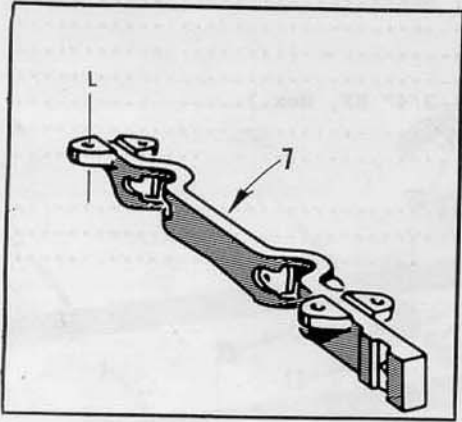
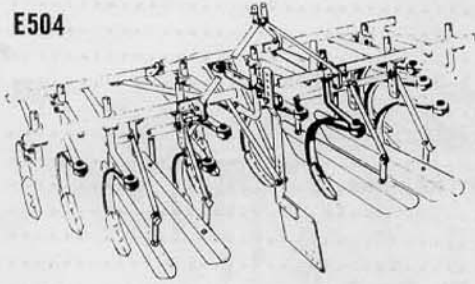
Ref. No.	Part No.	Description	No. Req.	
			20	22
	686 189 M91	Frame Assembly.....	1	1
1	686 190 M2	Bar, Cultivator Angle.....	2	2
2	686 191 M1	Bracket, Front Angle, Right.....	1	1
3	686 192 M1	Bracket, Front Angle, Left.....	1	1
4	195 427 M1	Pin, Link.....	2	2
5	353 433 X1	Washer, Link Pin (5/8" Lock).....	2	2
6	353 427 X1	Nut, Link Pin (5/8" NF, Hex.).....	2	2
7	353 562 X1	Bolt, Front Angle Bracket (7/16 x 1-3/8" NF, Hex.).....	2	2
8	353 432 X1	Washer (7/16" Lock).....	2	2
9	353 426 X1	Nut (7/16" NF, Hex.).....	2	2
10	686 193 M1	Bracket, Rear Angle.....	2	2
11	353 594 X1	Bolt, Brackets to Bar (1/2 x 1-3/8" NF, Hex.).....	10	10
12	353 439 X1	Washer (1/2" Lock).....	10	10
13	353 437 X1	Nut (1/2" NF, Hex.).....	10	10
14	686 194 M1	Brace, Angle Bar.....	2	2
15	353 561 X1	Bolt, Brace to Bar (7/16 x 1-1/4" NF, Hex.).....	4	4
16	353 432 X1	Washer (7/16" Lock).....	4	4
17	353 426 X1	Nut (7/16" NF, Hex.).....	4	4
18	686 199 M1	Strut, Front.....	2	2
19	660 224 M1	Spacer, Strut, Upper (41/64 x 1-1/2 x 1").....	1	1
20	660 351 M1	Stopper, Pin.....	1	1
21	353 627 X1	Bolt, Strut, Upper (5/8 x 3-1/2" NF, Hex.).....	1	1
22	353 433 X1	Washer (5/8" Lock).....	1	1
23	353 427 X1	Nut (5/8" NF, Hex.).....	1	1
24	686 201 M1	Strut, Bar.....	2	2
25	353 613 X1	Bolt, Rear Strut to Bracket (5/8 x 1-3/4" NF, Hex.).....	2	2
26	353 433 X1	Washer (5/8" Lock).....	2	2
27	353 427 X1	Nut (5/8" NF, Hex.).....	2	2
	195 622 M1	Paint, Light Gray (Spray-on).....	x	x
	195 620 M1	Paint, Light Gray (Quart).....	x	x
	195 621 M1	Paint, Light Gray (Gallon).....	x	x

Note: x - in Right Hand Columns - As Required.

# S-KO CULTIVATOR

## TINES AND ATTACHMENTS

E504



K 36	L 37	M 38	N 39	P 43
42	41	40	40	44
42	42	42	42	45



## TINES AND ATTACHMENTS

Ref. No.	Part No.	Description	No. Req.	
			20	22
1	686 233 M1	Tine, Inner Spring.....	11	6
2	686 234 M1	Tine, Helper Spring.....	11	6
3	686 236 M1	Clamp, Spring Tooth.....	11	6
4	686 235 M1	Stem, Spring Tine.....	11	6
5	686 241 M1	"U" Bolt, Stem.....	11	6
6	686 237 M1	Seat, Stem.....	10	6
7	686 238 M1	Seat, Center Stem.....	1	-
8	686 240 M1	Spacer, Shovel.....	11	6
9	686 156 M1	Washer (7/16 x 1 x 7/64").....	11	6
10	195 840 M1	Shovel, Reversible Point (2-1/2").....	11	6
16	686 239 M1	Adapter, Sweep.....	11	6
17	195 804 M1	Sweep, 6" Regular.....	4	2
17	195 805 M1	Sweep, 8" Regular.....	4	2
17	195 806 M1	Sweep, 10" Regular.....	3	2
22	195 807 M1	Sweep, 12" Regular.....	x	x
22	195 808 M1	Sweep, 14" Regular.....	x	x
22	195 809 M1	Sweep, 4" Heavy Duty, Low Crown.....	x	x
22	195 810 M1	Sweep, 6" Heavy Duty, Low Crown.....	x	x
22	195 811 M1	Sweep, 8" Heavy Duty, Low Crown.....	x	x
22	195 812 M1	Sweep, 10" Heavy Duty, Low Crown.....	x	x
22	195 813 M1	Sweep, 12" Heavy Duty, Low Crown.....	x	x
22	195 814 M1	Sweep, 14" Heavy Duty, Low Crown.....	x	x
22	195 815 M1	Sweep, 16" Heavy Duty, Low Crown.....	x	x
22	195 816 M1	Sweep, 4" Low Crown.....	x	x
22	195 817 M1	Sweep, 6" Low Crown.....	x	x
22	195 818 M1	Sweep, 8" Low Crown.....	x	x
22	195 819 M1	Sweep, 10" Low Crown.....	x	x
22	195 820 M1	Sweep, 12" Low Crown.....	x	x
23	195 825 M1	Sweep, 6" Half, Regular, Right.....	x	x
23	195 826 M1	Sweep, 8" Half, Regular, Right.....	x	-
23	195 827 M1	Sweep, 10" Half, Regular, Right.....	x	x
24	195 822 M1	Sweep, 6" Half, Regular, Left.....	x	x
24	195 823 M1	Sweep, 8" Half, Regular, Left.....	x	-
24	195 824 M1	Sweep, 10" Half, Regular, Left.....	x	x
25	686 239 M1	Adapter, Sweep.....	x	x
26	686 240 M1	Spacer, Sweep.....	x	x
27	195 839 M1	Shovel, 2" Reversible Point.....	x	-
28	686 240 M1	Spacer, Shovel.....	x	-
36	354 001 X1	Bolt (7/16 x 1-1/2" NF, Cult.).....	x	x
37	353 565 X1	Bolt (7/16 x 1-3/4" NF, Hex.).....	x	x
38	354 003 X1	Bolt (7/16 x 1-3/4" NF, Cult.).....	x	x
39	354 005 X1	Bolt (7/16 x 2" NF, Cult.).....	x	x
40	686 156 M1	Washer (7/16 x 1 x 7/64").....	x	x
41	353 432 X1	Washer (7/16" Lock).....	x	x
42	353 426 X1	Nut (7/16" NF, Hex.).....	x	x
43	353 620 X1	Bolt (5/8 x 2-5/8" NF, Hex.).....	x	x
44	353 433 X1	Washer (5/8" Lock).....	x	x
45	353 427 X1	Nut (5/8" NF, Hex.).....	x	x

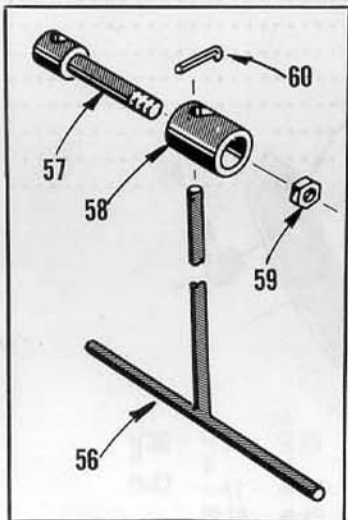
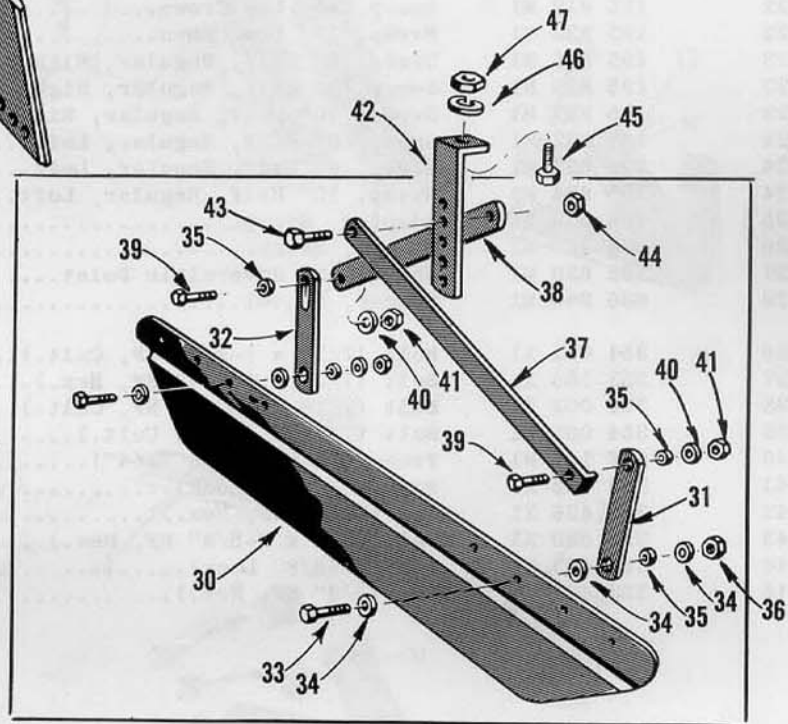
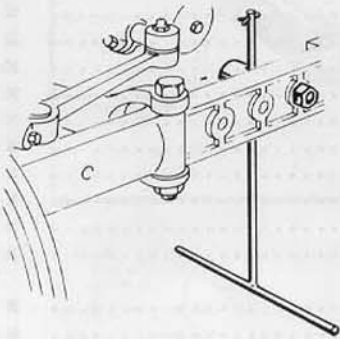
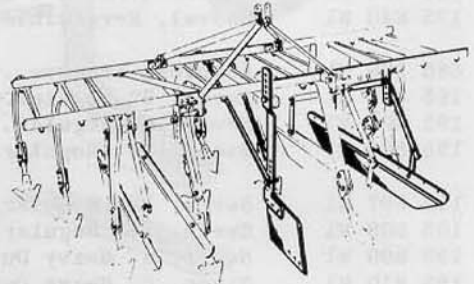
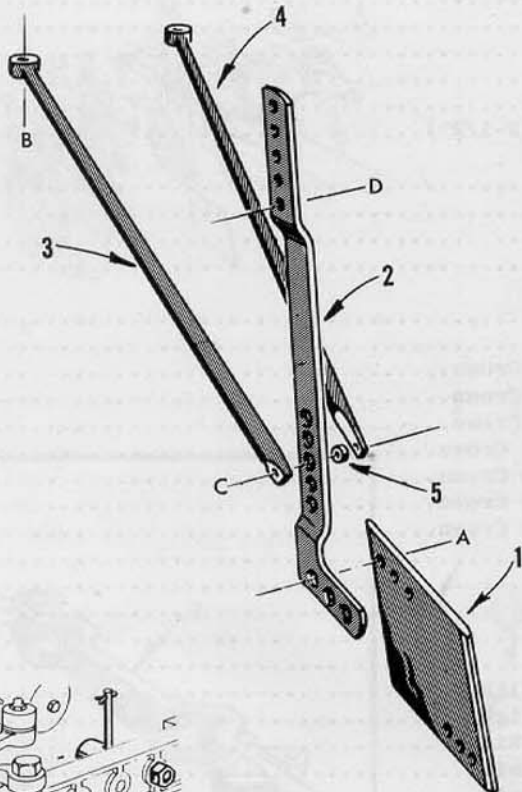
Note: x - in Right Hand Columns - As Required.



# S-KO CULTIVATOR

## KNIFE FIN, FENDER AND POINTER ASSEMBLIES

E505



A	B	C	D
10	11	12	15
14	13	13	16
14	14	14	17

## KNIFE FIN, FENDER AND POINTER ASSEMBLIES

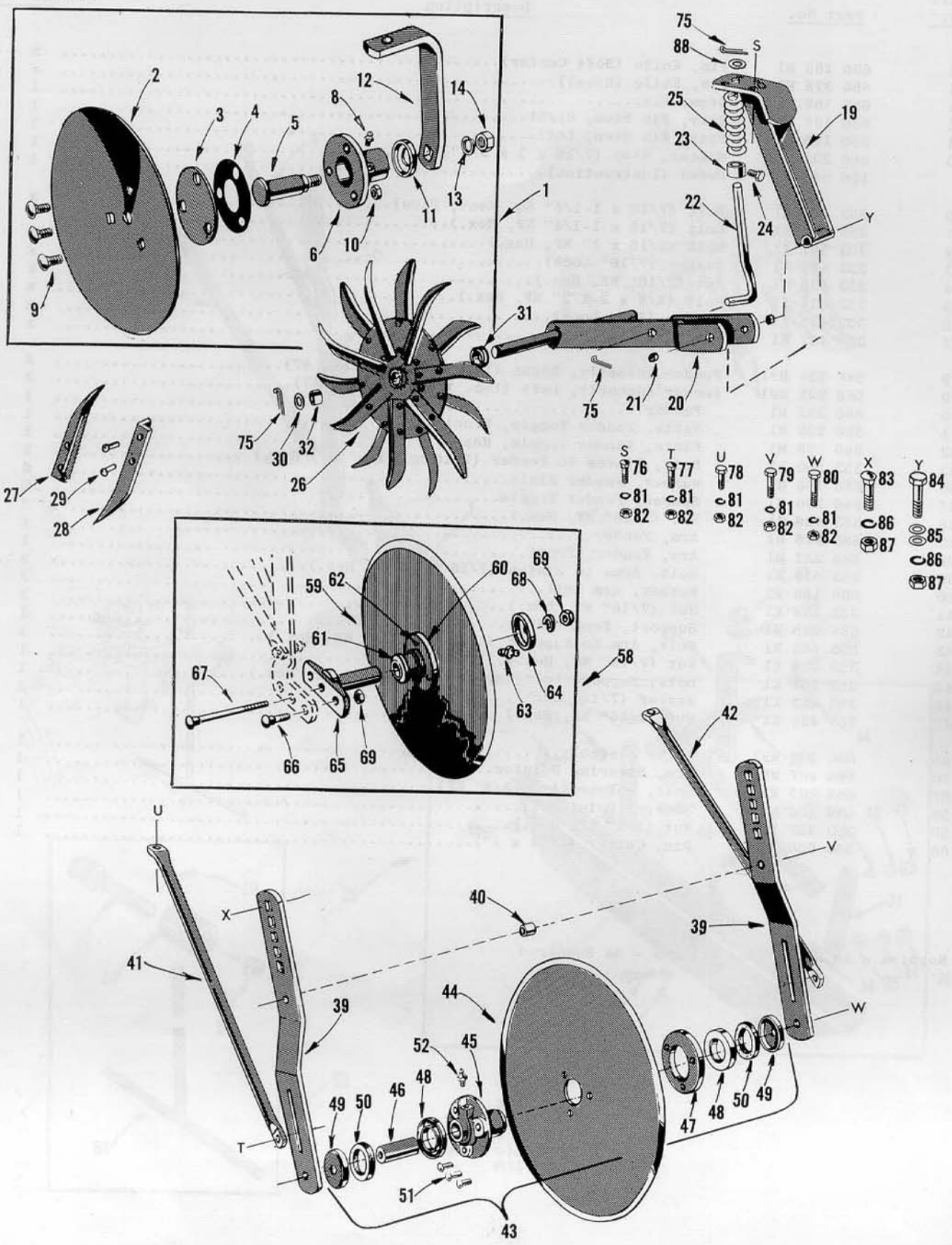
Ref. No.	Part No.	Description	No. Req.	
			20	22
1	686 185 M1	Fin, Knife (Soft Center).....	x	-
1	686 378 M1	Fin, Knife (Steel).....	x	-
2	686 188 M1	Stem, Fin.....	1	-
3	686 196 M1	Stay, Fin Stem, Right.....	1	-
4	686 198 M1	Stay, Fin Stem, Left.....	1	-
5	686 202 M1	Spacer, Stay (7/16 x 1 x 3/4").....	1	-
	196 044 M1	Decal (Instruction).....	1	-
10	353 415 X1	Bolt (7/16 x 1-1/4" Sq. Neck, Plow).....	x	-
11	353 561 X1	Bolt (7/16 x 1-1/4" NF, Hex.).....	x	-
12	353 567 X1	Bolt (7/16 x 2" NF, Hex.).....	x	-
13	353 432 X1	Washer (7/16" Lock).....	x	-
14	353 426 X1	Nut (7/16" NF, Hex.).....	x	-
15	353 616 X1	Bolt (5/8 x 2-1/2" NF, Hex.).....	x	-
16	353 433 X1	Washer (5/8" Lock).....	x	-
17	353 427 X1	Nut (5/8" NF, Hex.).....	x	-
29	686 221 M91	Fender Assembly, Right (Inc. items 30 thru 47).....	2	-
29	686 222 M91	Fender Assembly, Left (Inc. items 30 thru 47).....	2	-
30	686 223 M1	Fender.....	1	-
31	686 228 M1	Plate, Fender Toggle, Front.....	1	-
32	686 229 M1	Plate, Fender Toggle, Rear.....	1	-
33	353 560 X1	Bolt, Plates to Fender (7/16 x 1-1/8" NF, Hex.).....	2	-
34	686 156 M1	Washer, Fender Plate.....	6	-
35	686 230 M1	Spacer, Fender Toggle.....	2	-
36	353 426 X1	Nut (7/16" NF, Hex.).....	2	-
37	686 226 M1	Arm, Fender.....	1	-
38	686 227 M1	Arm, Fender, Front.....	1	-
39	353 559 X1	Bolt, Arms to Plates (7/16 x 1" NF, Hex.).....	2	-
40	686 156 M1	Washer, Arm Bolt.....	2	-
41	353 426 X1	Nut (7/16" NF, Hex.).....	2	-
42	686 225 M1	Support, Fender Arm.....	1	-
43	353 562 X1	Bolt, Arm to Support (7/16 x 1-3/8" NF, Hex.).....	1	-
44	353 426 X1	Nut (7/16" NF, Hex.).....	1	-
45	353 561 X1	Bolt, Support to Frame (7/16 x 1-1/4" NF, Hex.).....	1	-
46	353 432 X1	Washer (7/16" Lock).....	1	-
47	353 426 X1	Nut (7/16" NF, Hex.).....	1	-
55	686 204 M91	Pointer Assembly.....	1	-
56	686 207 M91	Arm, Steering Pointer.....	1	-
57	686 205 M1	Bolt, Pointer Arm (5/8" NF).....	1	-
58	686 206 M1	Sleeve, Pointer.....	1	-
59	353 427 X1	Nut (5/8" NF, Hex.).....	1	-
60	354 050 X1	Pin, Cotter (3/32 x 1").....	1	-

Note: x - in Right Hand Columns - As Required.

# S-KO CULTIVATOR

## DISC HILLER, ROTARY HOE AND ROLLING FIN ATTACHMENTS

E506



## DISC HILLER ATTACHMENT

Ref. No.	Part No.	Description	No. Req.	
			20	22
1	686 115 M91	Hiller Assembly, Disc, 12".....	4	-
2	686 121 M1	Disc, 12".....	1	-
3	686 122 M1	Plate, Dust.....	1	-
4	686 123 M1	Gasket, Hub.....	1	-
5	686 119 M1	Spindle, Disc Hiller.....	1	-
6	686 124 M91	Hub Assembly, Disc.....	1	-
8	13 222 X	Grease Fitting (1/8" P.T., Str.).....	1	-
9	353 826 X1	Bolt, Hub to Disc (7/16 x 1" NF, Carr.).....	3	-
10	353 428 X1	Nut (7/16" NF, Hex., Jam).....	3	-
11	686 120 M1	Cap, Dust.....	1	-
12	686 116 M1	Standard, Disc Hiller.....	1	-
13	353 433 X1	Washer, Spindle (5/8" Lock).....	1	-
14	353 427 X1	Nut, Spindle (5/8" NF, Hex.).....	1	-

## ROTARY HOE ATTACHMENT

19	686 355 M91	Frame Assembly, Rotary Hoe, Long.....	x	-
19	686 370 M91	Frame Assembly, Rotary Hoe, Short.....	x	-
20	686 359 M91	Arm Assembly, Hoe.....	1	-
21	686 365 M1	Bushing, Yoke (21/32 x 7/8 x 17/32").....	2	-
22	686 363 M1	Rod, Spring Guide.....	1	-
23	400 689 M1	Collar, Set.....	1	-
24	196 015 M1	Screw (1/2 x 5/8" Cup Pt., Hex. Hd., Set).....	1	-
25	686 364 M1	Spring, Hold-down.....	1	-
26	686 366 M91	Spider Assembly, Wheel.....	4	-
27	686 142 M1	Tooth, Spider, Right.....	7	-
28	686 143 M1	Tooth, Spider, Left.....	7	-
29	10 591 X	Rivet, Teeth to Plate (5/16 x 13/16" Button Hd.).....	28	-
30	686 078 M1	Washer, Spider Retaining (31/32 x 1-1/2 x 1/8").....	2	-
31	686 368 M1	Spacer, Inner (1 x 1-5/16 x 1-3/16")(w/ Rotary Shield only).....	2	-
32	686 369 M1	Spacer, Outer (1 x 1-5/16 x 1-9/16")(w/ Rotary Shield only).....	2	-

## ROLLING FIN ATTACHMENT

39	686 088 M1	Yoke, Coulter.....	2	-
40	686 087 M1	Spacer, Yoke.....	1	-
41	686 089 M1	Strut, Coulter, Right.....	1	-
42	686 090 M1	Strut, Coulter, Left.....	1	-
43	686 082 M91	Disc and Hub Assembly.....	1	-
44	660 387 M1	Disc, Coulter, 18" Plain.....	1	-
45	660 400 M1	Hub, Disc.....	1	-
46	660 382 M1	Bushing, Hub.....	1	-
47	660 385 M1	Collar, Hub.....	1	-
48	686 084 M1	Retainer, Felt, Male.....	1	-
49	686 085 M1	Retainer, Felt, Female.....	1	-
50	686 086 M1	Washer, Felt.....	1	-
51	16 922 X	Rivet (5/16 x 1-3/8" Button Hd.).....	3	-
52	13 222 X	Grease Fitting (1/8" P.T., Str.).....	1	-
58	686 154 M91	Fin Assembly, Rolling (Used Early Machines).....	1	-
59	660 369 M91	Disc and Hub Assembly.....	1	-
60	660 385 M1	Collar, Disc.....	1	-
61	660 400 M1	Hub, Disc.....	1	-
62	16 922 X	Rivet (5/16 x 1-3/8" Button Hd.).....	3	-
63	13 222 X	Grease Fitting (1/8" P.T., Str.).....	1	-
64	660 381 M1	Cover, Hub Dust.....	1	-
65	686 155 M91	Axle, Rolling Fin.....	1	-
66	353 415 X1	Bolt, Hub to Axle (7/16 x 1-1/4" NF, Plow).....	1	-
67	353 420 X1	Bolt, Axle to Stem (7/16 x 4-5/8" NF, Plow).....	1	-
68	353 432 X1	Washer (7/16" Lock).....	1	-
69	353 426 X1	Nut (7/16" NF, Hex.).....	2	-
75	354 092 X1	Cotter Pin (1/4 x 1-3/4").....	x	-
76	353 828 X1	Bolt (7/16 x 1-1/4" NF, Carr.).....	x	-
77	353 829 X1	Bolt (7/16 x 1-3/8" NF, Carr.).....	x	-
78	353 562 X1	Bolt (7/16 x 1-3/8" NF, Hex.).....	x	-
79	353 568 X1	Bolt (7/16 x 2-1/8" NF, Hex.).....	x	-
80	353 586 X1	Bolt (7/16 x 4-3/8" NF, Hex.).....	x	-
81	353 432 X1	Washer (7/16" Lock).....	x	-
82	353 426 X1	Nut (7/16" NF, Hex.).....	x	-
83	354 251 X1	Bolt (5/8 x 2-3/8" NF, Carr.).....	x	-
84	353 641 X1	Bolt (5/8 x 5-1/4" NF, Hex.).....	x	-
85	353 774 X1	Washer (5/8" Heavy Flat).....	x	-
86	353 433 X1	Washer (5/8" Lock).....	x	-
87	353 427 X1	Nut (5/8" NF, Hex.).....	x	-
88	353 761 X1	Washer (11/16" Flat).....	x	-

Note: x - in Right Hand Columns - As Required.